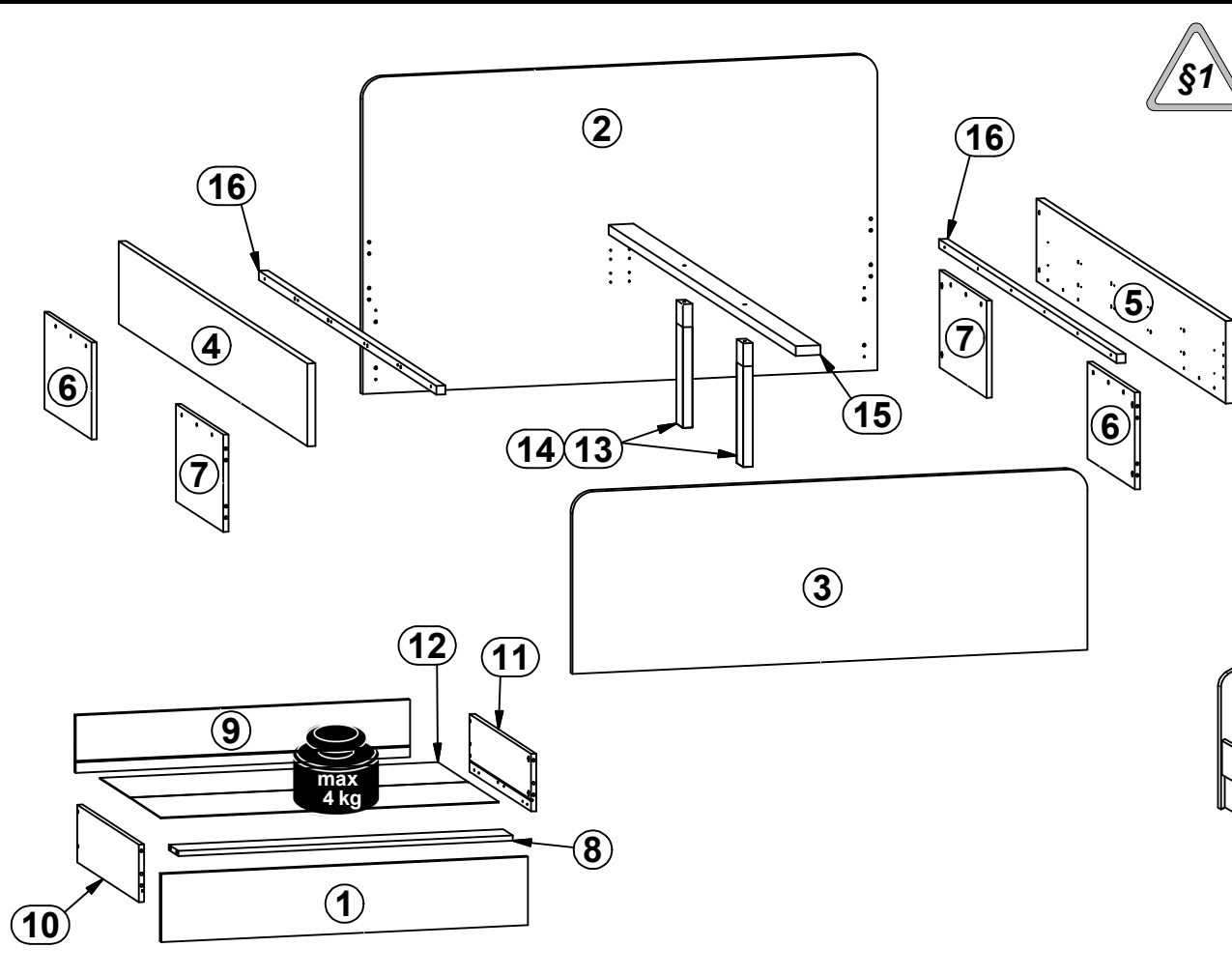
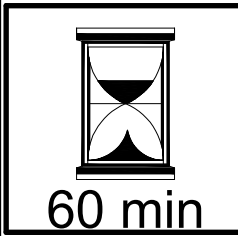
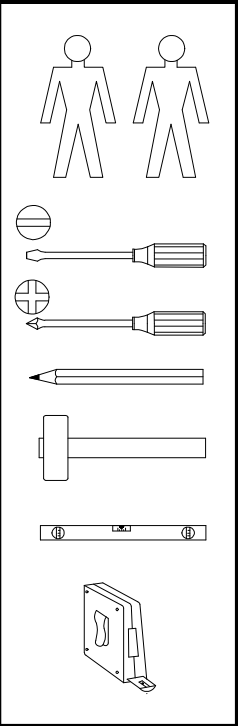
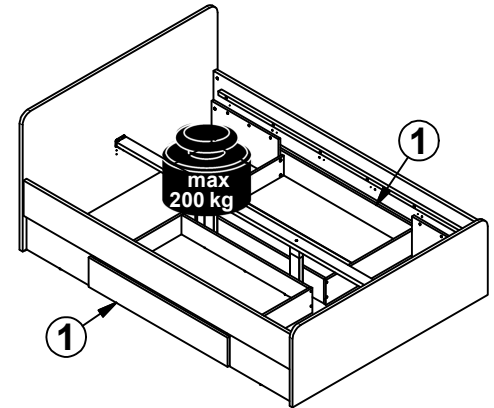


A

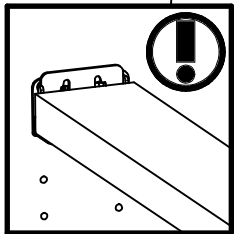
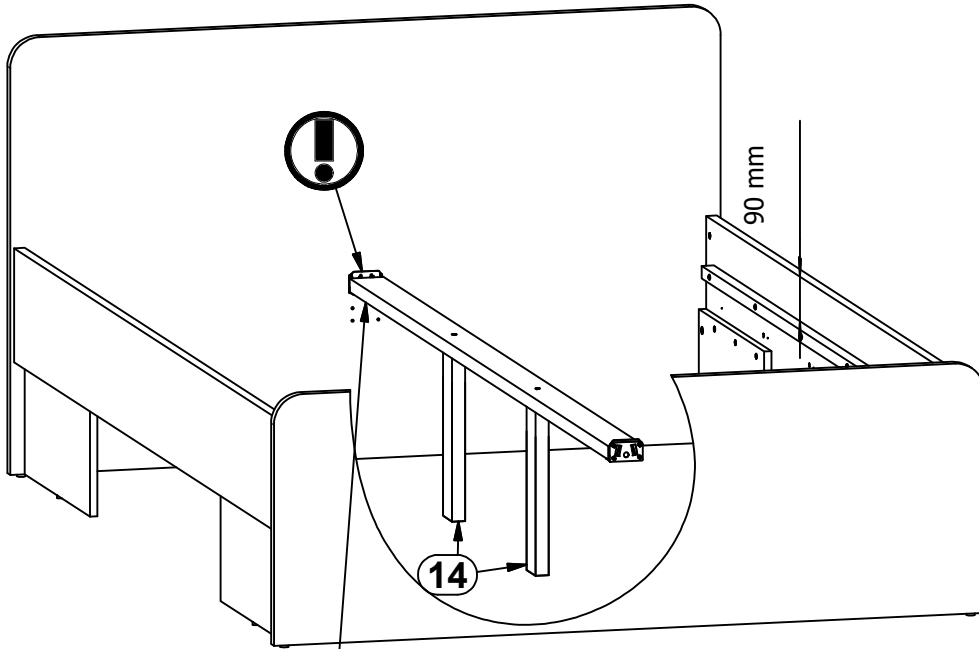


A	B	C (mm)			D
1	S387-0008	1040	190	15	3/3
2	S387-0009	1460	880	22	1/3
3	S387-0010	1460	505	22	1/3
4	S387-1012	2000	230	22	2/3
5	S387-1013	2000	230	22	2/3
6	S387-4004	500	270	15	2/3
7	S387-4005	500	270	15	2/3
8	ZZ1-4002	948	100	15	3/3
9	ZZ1-5004	948	160	15	3/3
10	ZZ1-5005	650	160	15	3/3
11	ZZ1-5006	650	160	15	3/3
12	ZZ1-9302	958	647	2	3/3
13	ZZ1-419	280	70	27	2/3
14	ZZ1-432	344	70	27	2/3
15	ZZ1-719	1983	70	27	2/3
16	ZZ1-747	1880	25	25	2/3

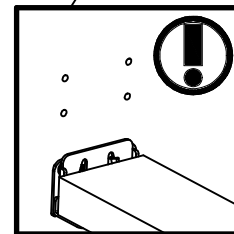
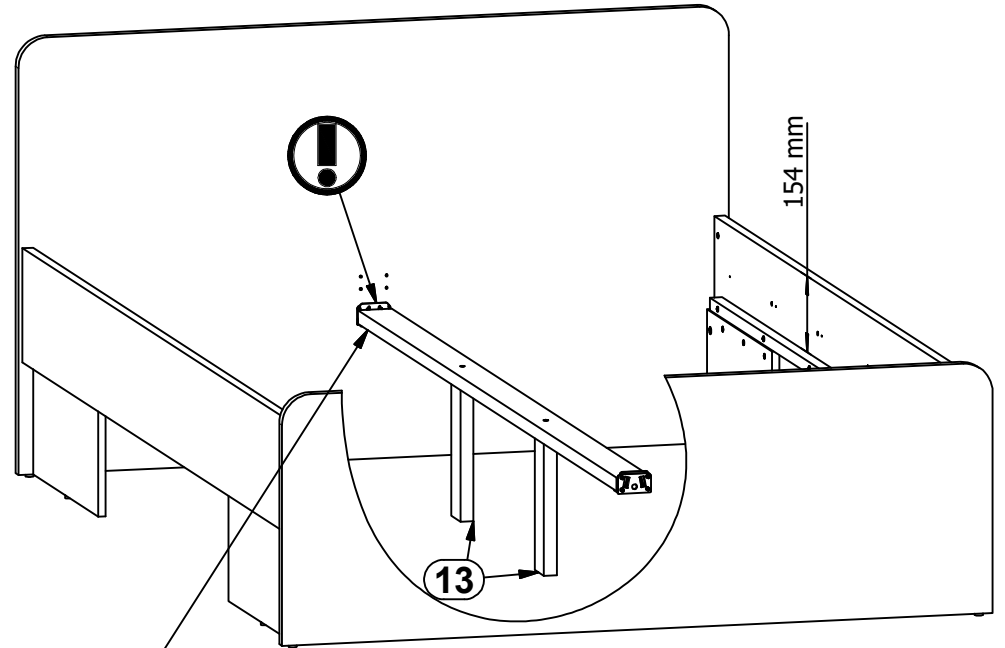


8x Ø7x50 mm e1	32x Ø6,3x13 mm e2	12x Ø7x28 mm e22	8x Ø6x13 mm e3	2x Ø7x60 mm e8	28x Ø8x30 mm f1	4x M6x60 mm j144	8x k1	20x l2	2x n34/1	2x n34/2	8x k44	2x 130x34x34/2 mm n63
4x Ø10x5,2x20 mm o89	16x Ø4x40 mm p10	6x Ø3,5x25 mm p16	24x Ø15x12 mm #16 r1	4x Ø10x13 mm r5/1	24x 20/11 r42	8x Ø16 s2	1x 4 mm z1					

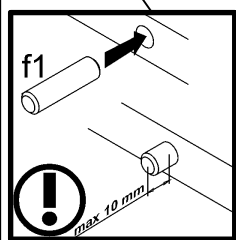
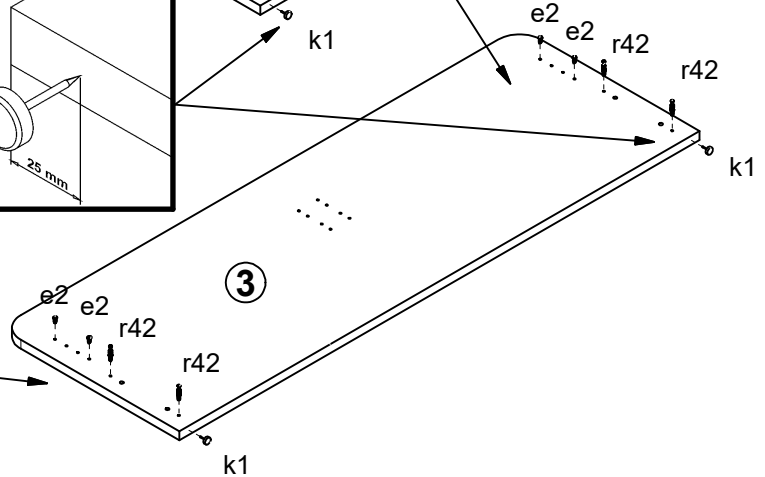
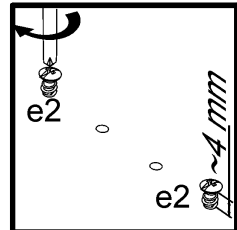
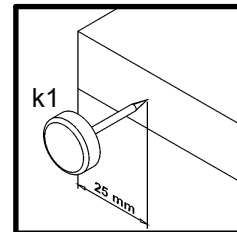
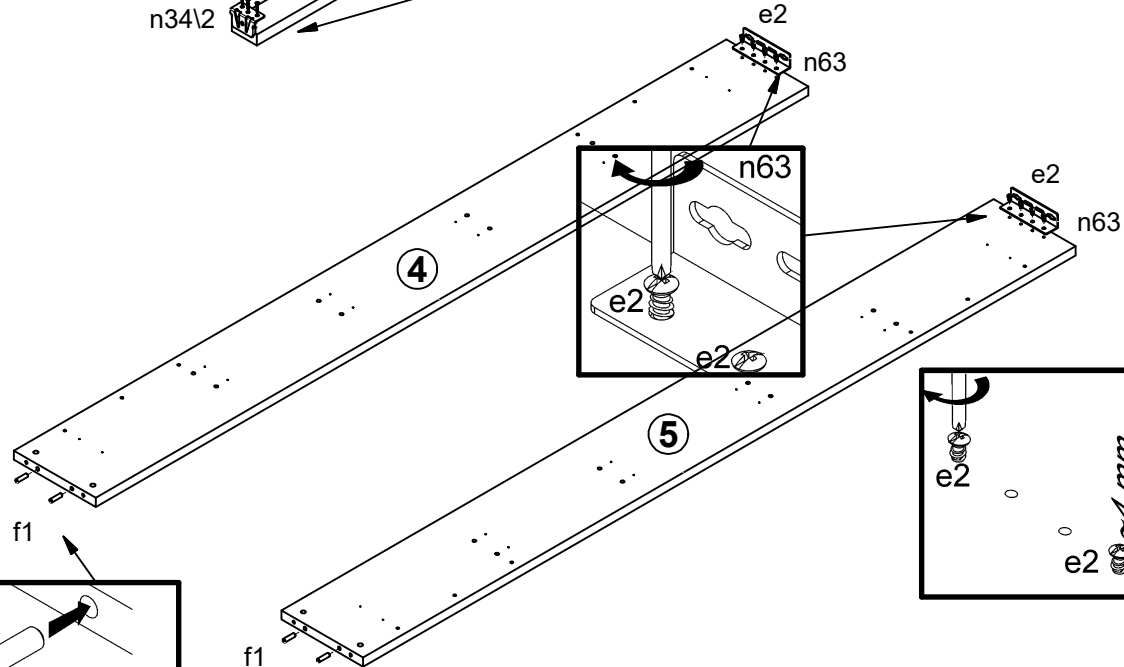
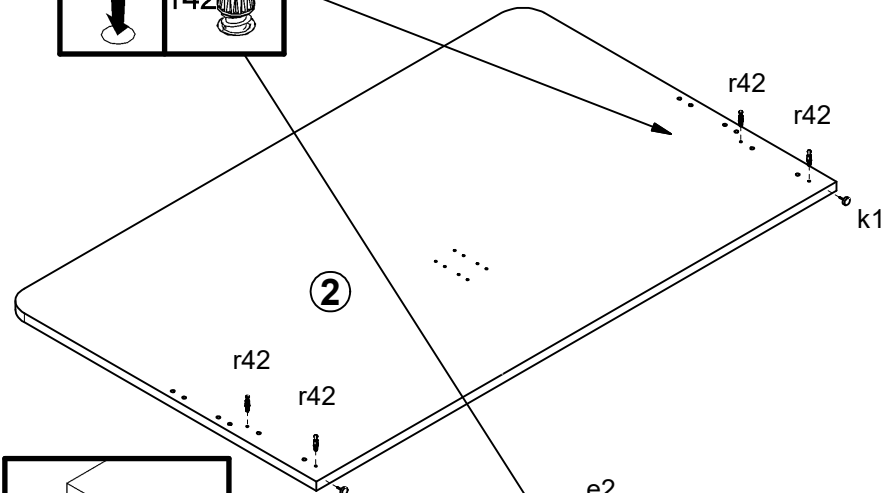
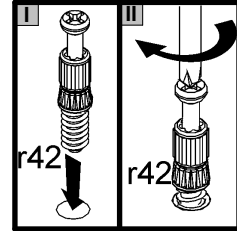
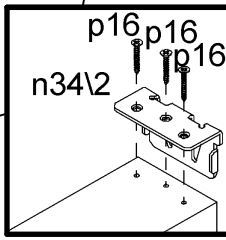
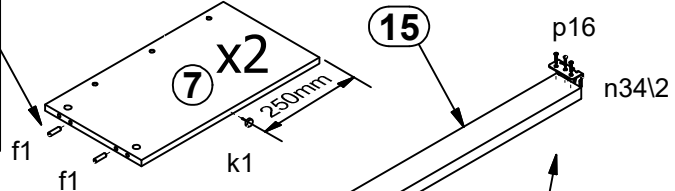
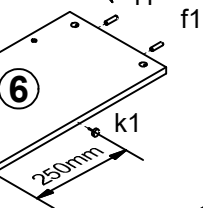
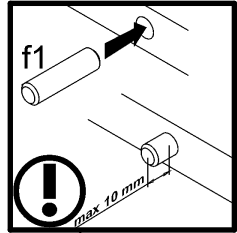
1 A



1 B

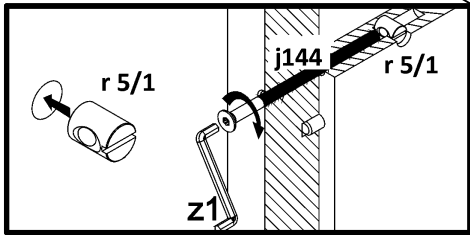
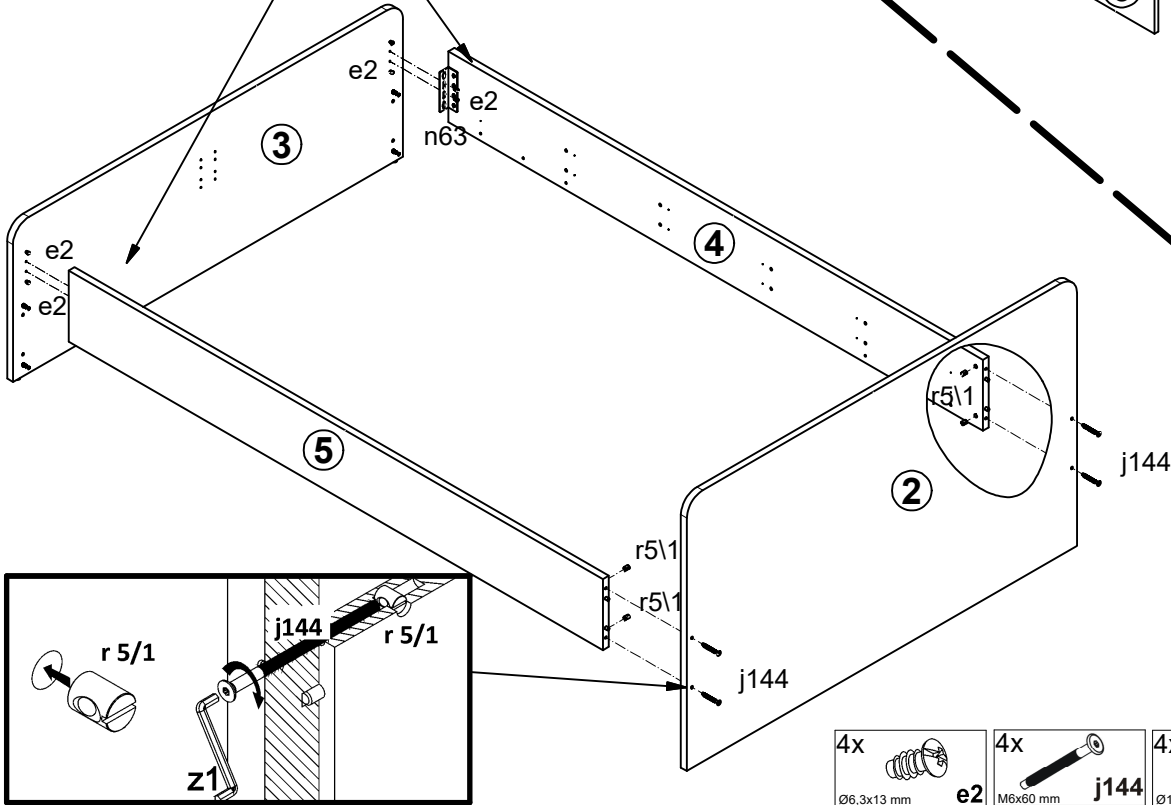
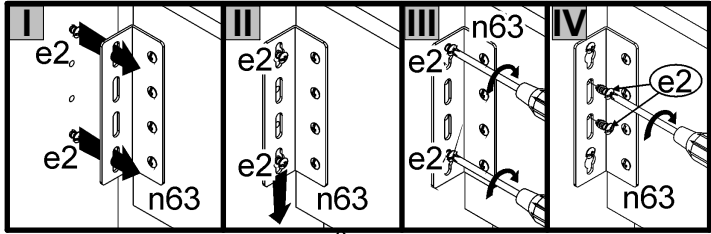





2



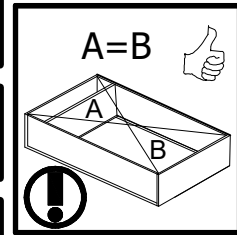
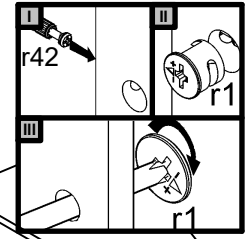
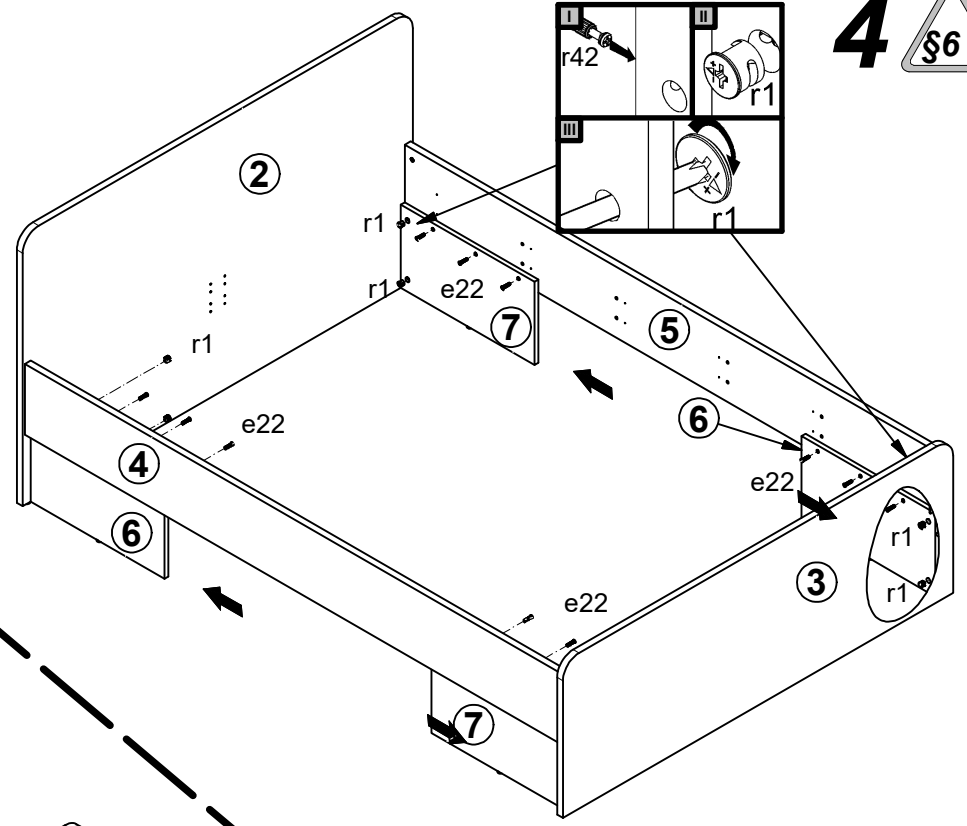
- 12x e2 $\varnothing 6.3 \times 13 \text{ mm}$
- 12x f1 $\varnothing 8 \times 30 \text{ mm}$
- 8x k1
- 2x n34\2
- 2x n63 $130 \times 34 \times 34.2 \text{ mm}$
- 6x p16 $\varnothing 3.5 \times 25 \text{ mm}$
- 8x r42 $\varnothing 3.5 \times 25 \text{ mm}$

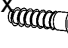

3 



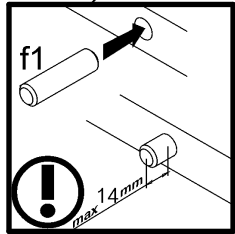
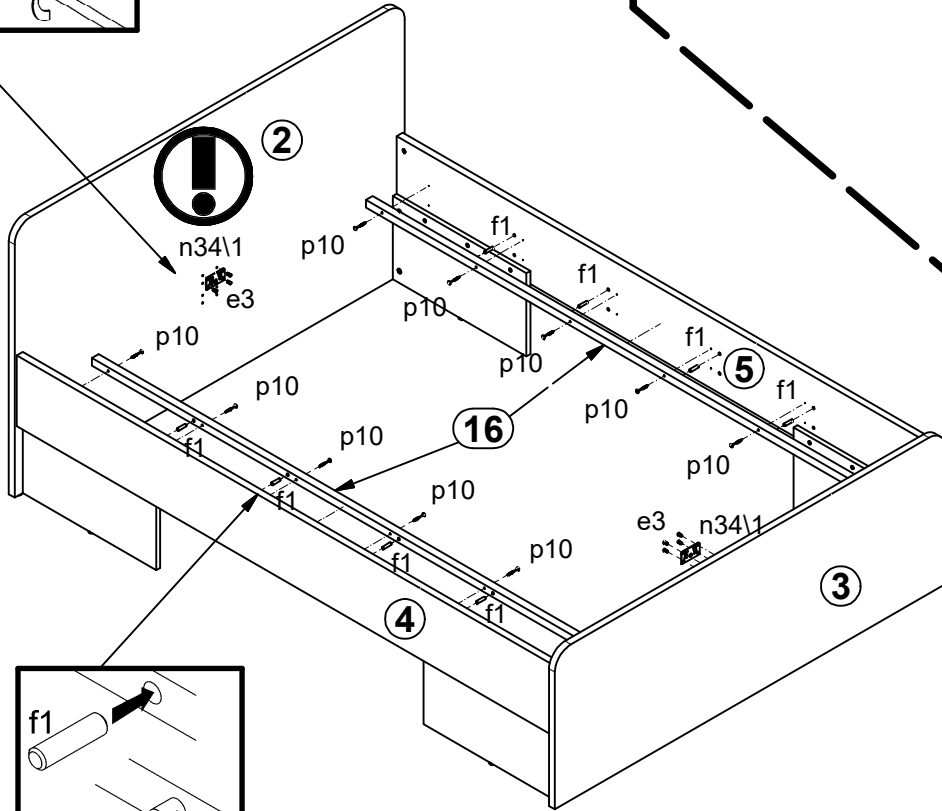
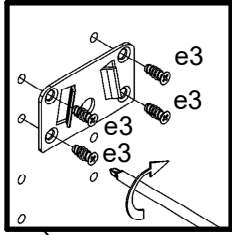
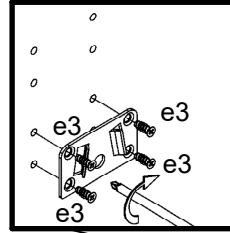
- 4x  e2
Ø6.3x13 mm
- 4x  j144
M6x60 mm
- 4x  r5/1
Ø10x13 mm

4 

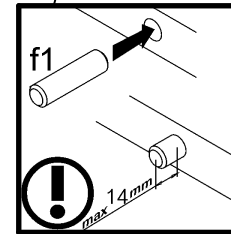
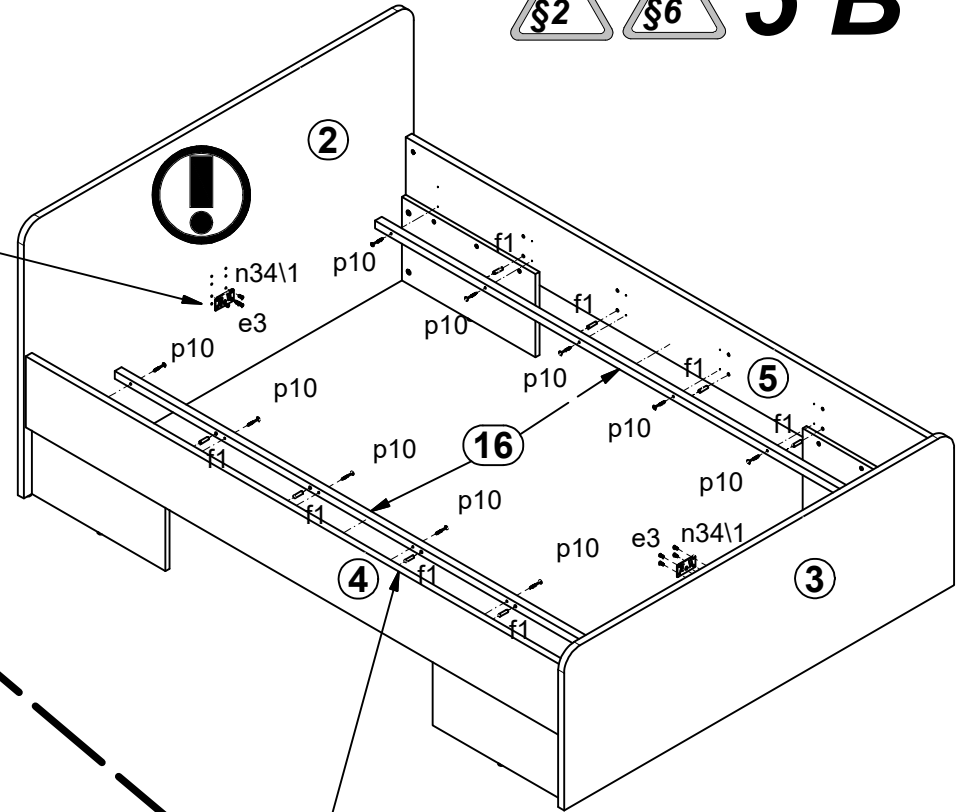


- 12x  e22
Ø7x28 mm
- 8x  r1
Ø15x12 mm #16

5 A

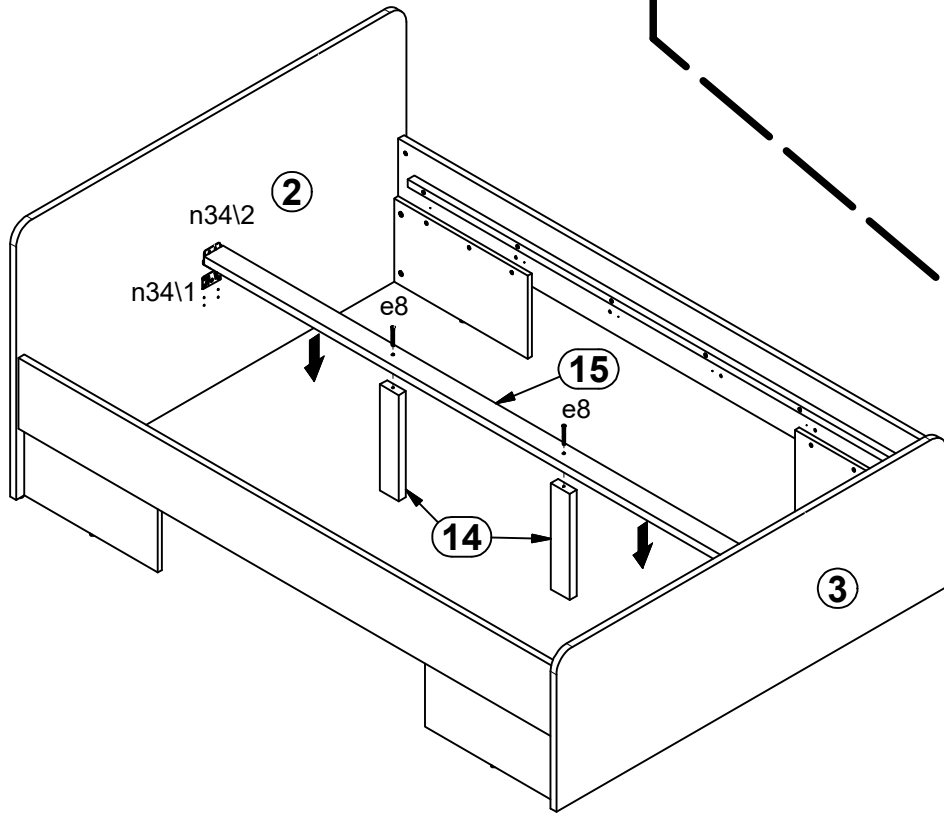


5 B

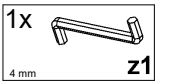
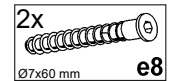
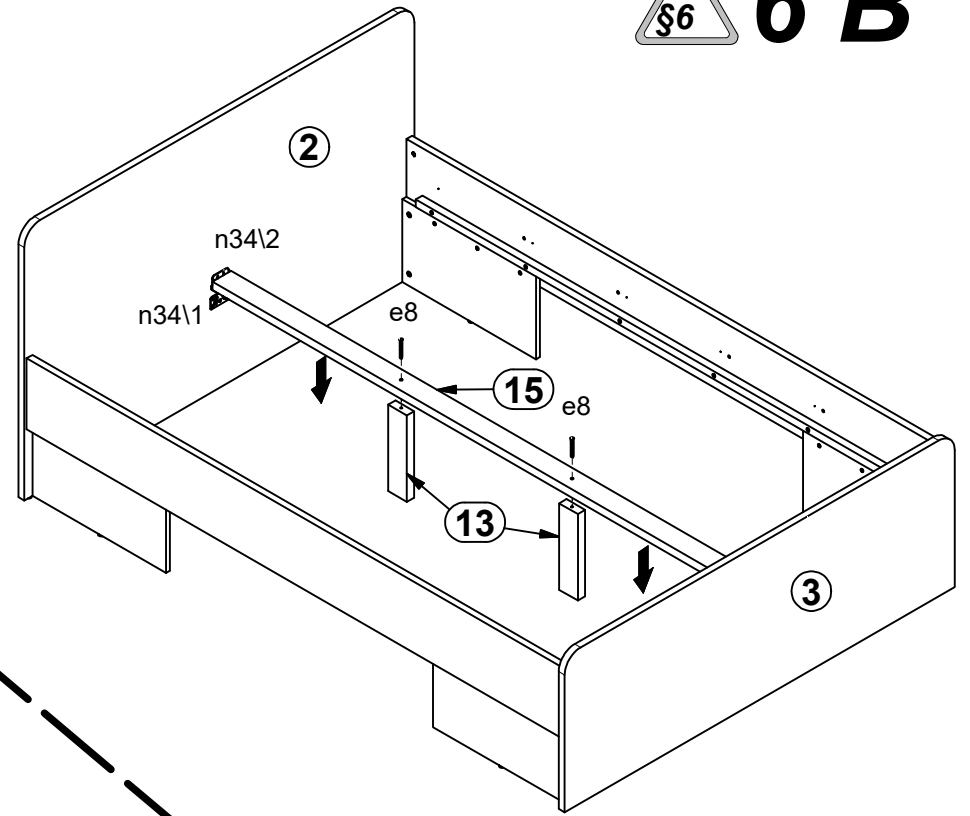


- 8x e3 Ø6x13 mm
- 8x f1 Ø8x30 mm
- 2x n34\1
- 12x p10 Ø4x40 mm

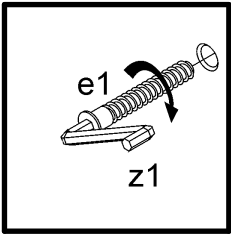
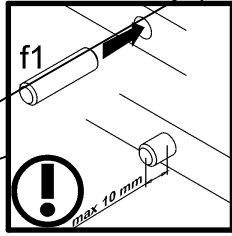
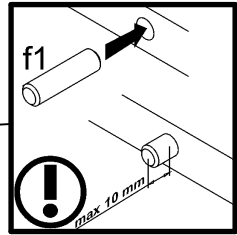
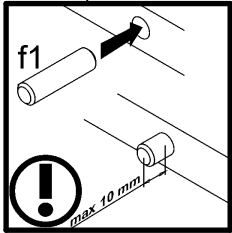
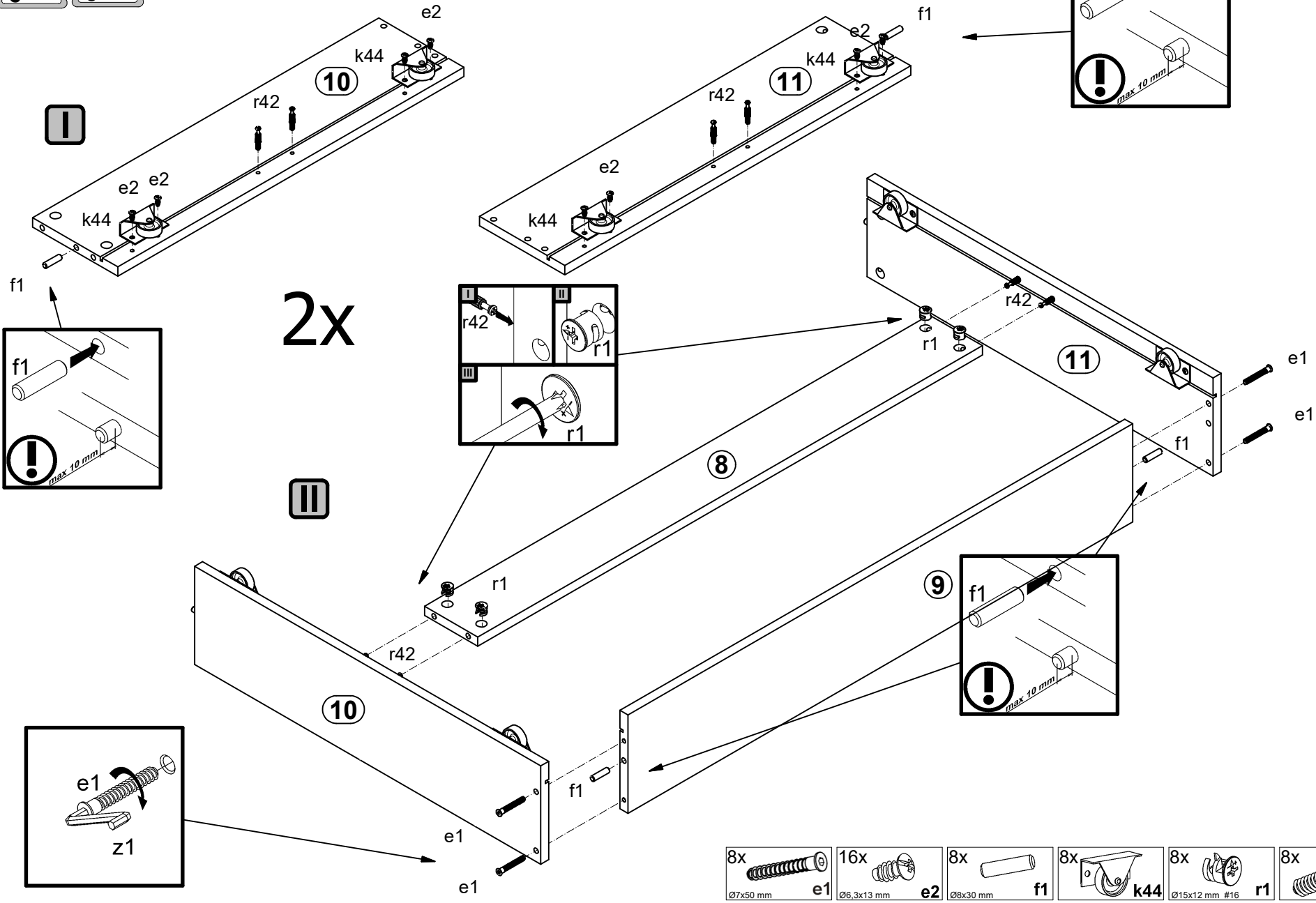
6 A


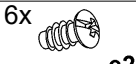






6 B

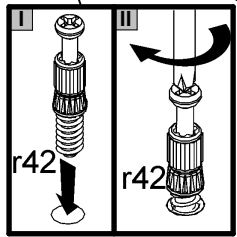
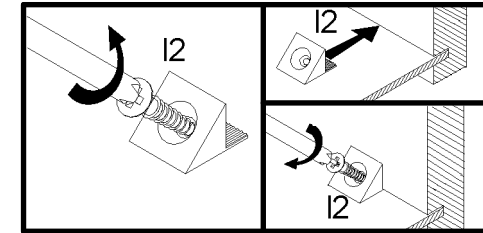
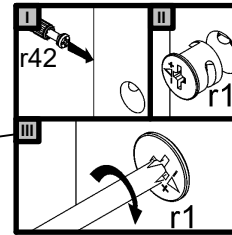
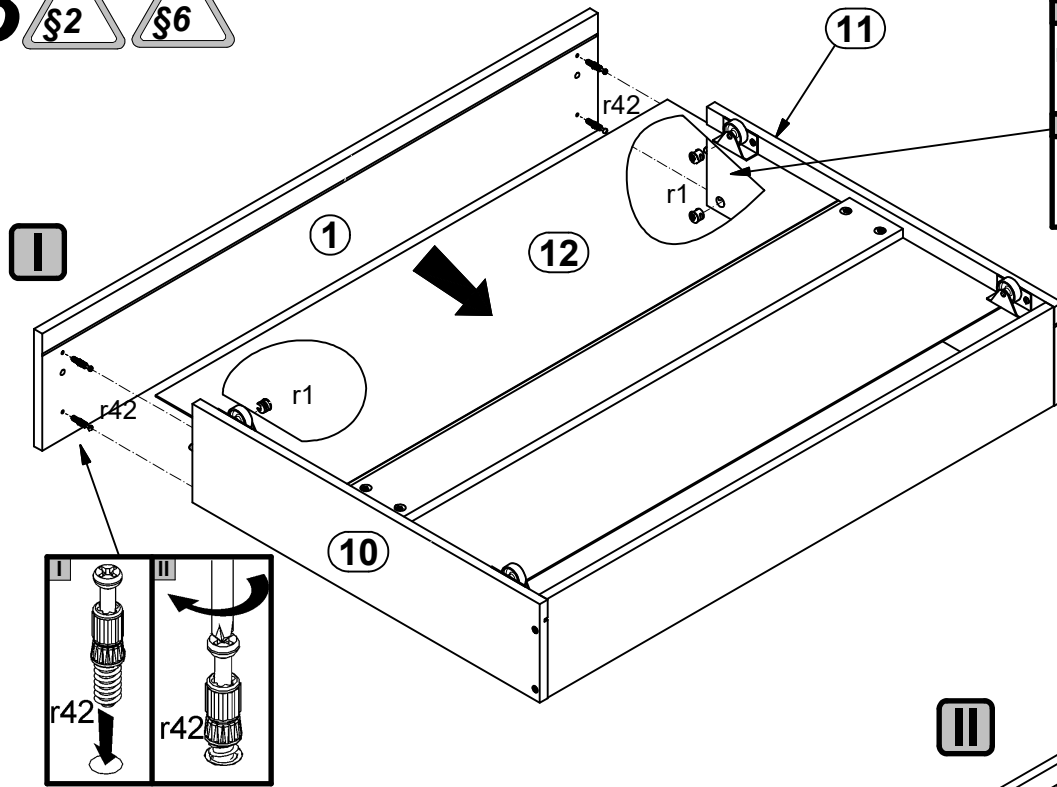


7  

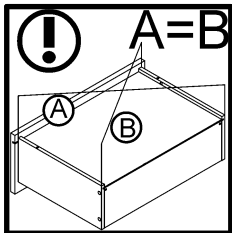
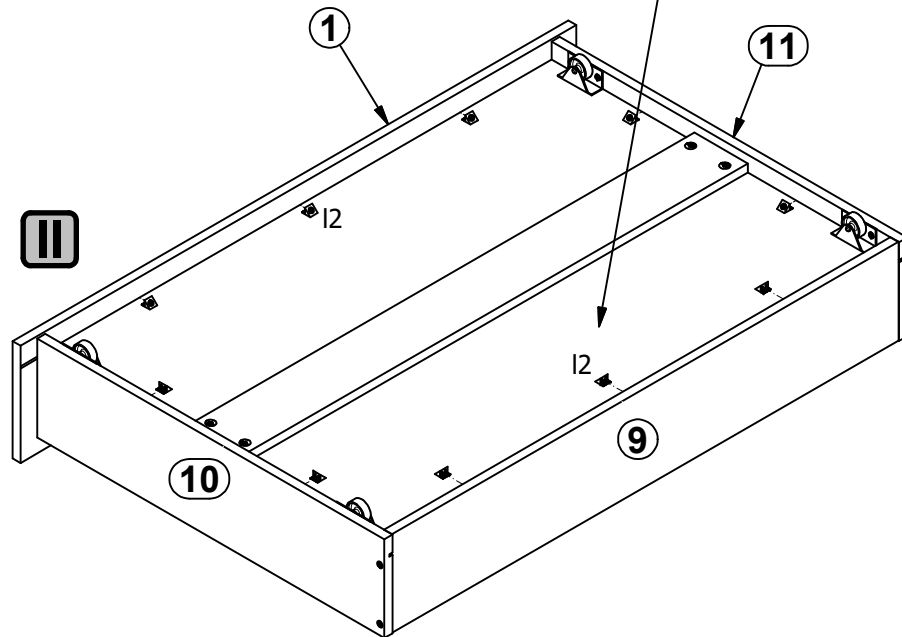


- 8x

Ø7x50 mm e1
- 16x

Ø6.3x13 mm e2
- 8x

Ø8x30 mm f1
- 8x

k44
- 8x

Ø15x12 mm #16 r1
- 8x

20/11 r42

8  

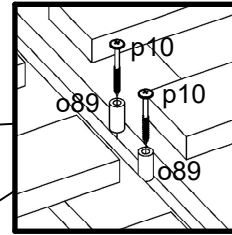
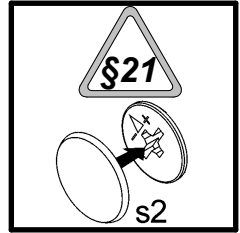
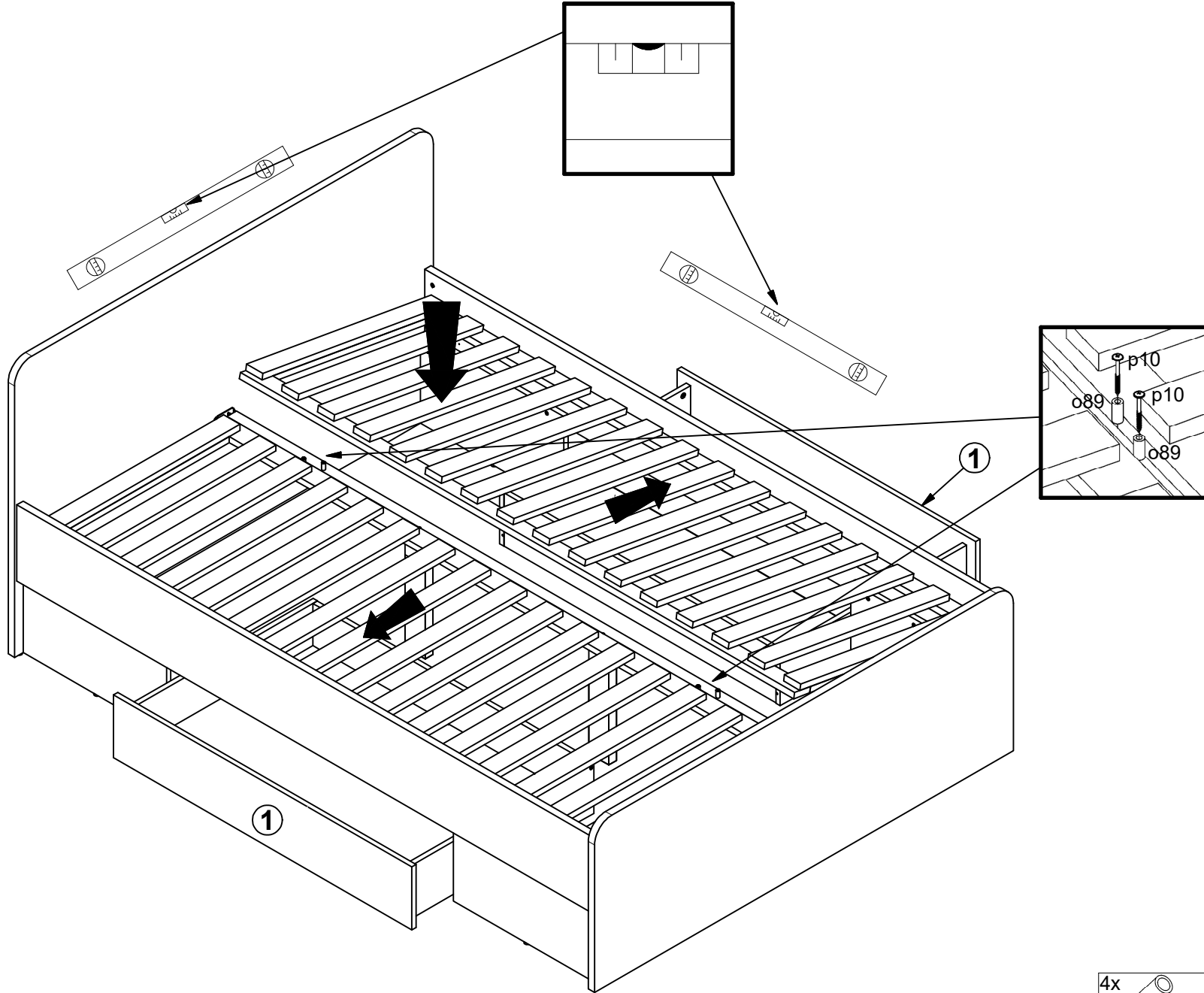





2x



-  20x **l2**
-  8x **r1**
Ø15x12 mm #16
-  8x **r42**
20/11

9



- 4x  o89 Ø10/Ø5.2x20 mm
- 4x  p10 Ø4x40 mm
- 8x  s2 Ø16

10

